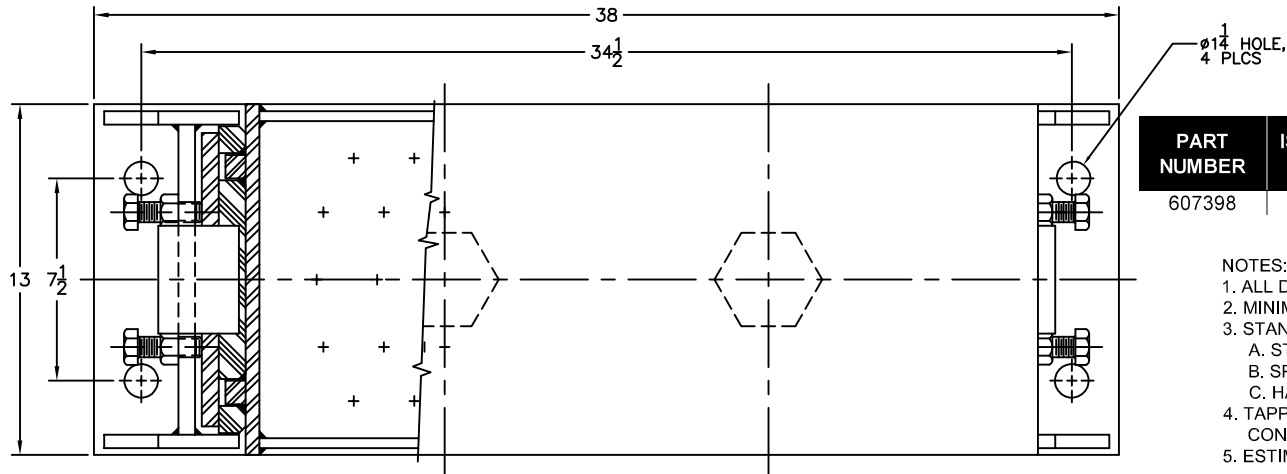


123R-103939 REV.: 2

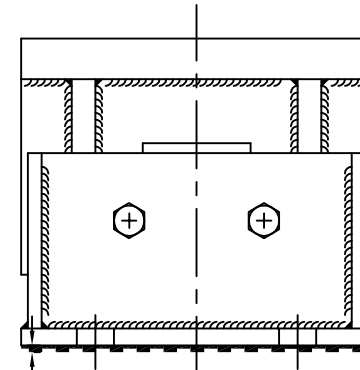
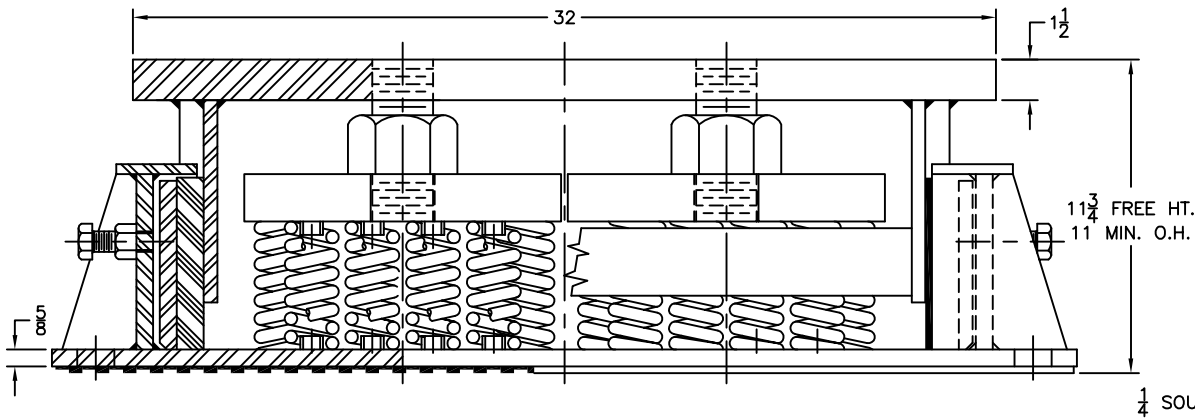
REV.	DESCRIPTION	DATE	BY



PART NUMBER	ISOLATOR MODEL	MAX. STEADY (LBS)	MAX. IMPACT (LBS)	ISOLATOR CONSTANT (LBS)	COLOR CODE
607398	SIT-7544	84000	63000	128000	PINK

NOTES:

1. ALL DIMENSIONS ARE IN INCHES, INTERPRET PER ANSI Y14
2. MINIMUM OPERATING HEIGHT: 11'
3. STANDARD FINISH: CONTACT VMC FOR ADDITIONAL AVAILABILITY
  - A. STEEL WELDMENTS: STANDARD VMC COLOR
  - B. SPRING: POWDER COATED
  - C. HARDWARE: ELECTRO-ZINC PLATED
4. TAPPED HOLES IN ISOLATOR TOP PLATE CAN BE PROVIDED TO SUIT CONDITIONS.
5. ESTIMATED NET WEIGHT: 700 LBS



OTHER MATERIALS, COMPOUNDS, OR FINISHES WITH EQUAL OR SUPERIOR PROPERTIES MAY BE SUBSTITUTED AS THEY BECOME AVAILABLE.

**CERTIFIED FOR:**

JOB NAME: \_\_\_\_\_  
 CUSTOMER : \_\_\_\_\_  
 CUSTOMER P.O.: \_\_\_\_\_  
 SALES ORDER: \_\_\_\_\_

**MODEL SIT-7544 84,000 LBS.  
 SPRING ISOLATOR WITH  
 ADJUSTABLE SNUBBER**



**THE VMC GROUP**  
*The Power of Together*  
 Bloomingdale, NJ 07403  
 Houston, TX 77041

SCALE:

NONE

SHEET:

1 OF 1



DRAWING NO.:

REVISION